

GSLUN Swing Lift-Up Stay

Lift-up opening

Opening Direction	Item Name	Description	Door Width	Door Height	Door Weight
 Lift-up	GSLUN-3N				2.8-3.8 kg
	GSLUN-4N	Lift-assist Soft-close	600 ~900	390 ~450	3.8-4.8 kg
	GSLUN-5N				4.8-5.8 kg

Features

- Patented mechanism helps open and close door smoothly
- Spring mechanism assists opening the door lightly when it is opened outwards by 50 ~ 70 mm
- Damper provides smooth and soft closing
- Installed on the bottom of cabinet top board for maximum space inside the cabinet
- Passed 40,000 life cycle test

Notes

- Operating temperature: 0°C - 40°C
- Use in pairs
- 1 connecting bar (sold separately) required for 1 set of stay. Install 2 pcs to ensure lateral strength
- For glass door, the min. frame width is 75 mm
- Advisable to install a handle (sold separately) in the middle of door width
- For easy door opening, install the handle above the bottom edge of door side mounting plate

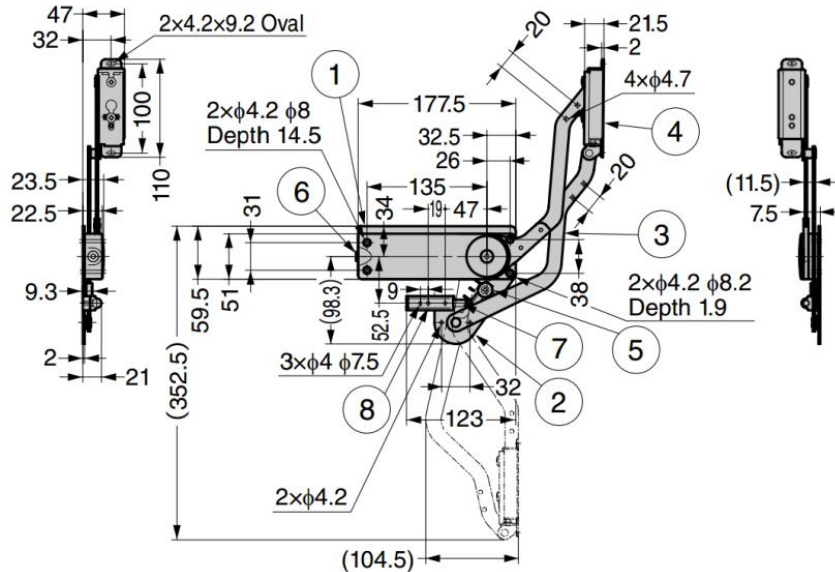


Parts Included

- Binding head tapping screw 3.5×15 (for main body)
- Countersunk head tapping screw 3.5 ×20 (for damper)
- Truss head tapping screw 4.5 ×12 (for connecting bar)

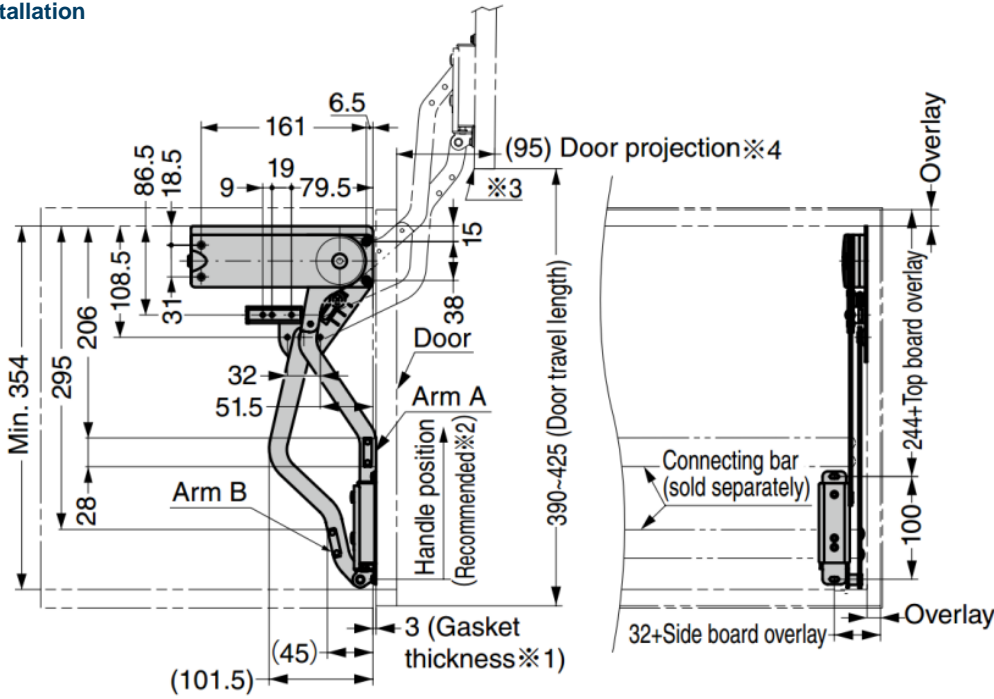
Sold Separately

- Connecting bar **GSLUB**



No.	Part Name	Material	Finish/Colour
①	Body	ABS	Grey
②	Mounting Plate	Steel (SPCC)	Chrome
③	Arm		
④	Mounting Plate		
⑤	Stopper	EPDM	Black
⑥	Adjustment Screw	Steel (SWCH)	Tin Cobalt Plating
⑦	Damper Core	POM	-
⑧	Damper Holder	PA	

Installation



- ※1: Dimension with gasket attached on door. Without gasket, shift stay installation position towards back panel side by 3mm.
- ※2: Install handle above the bottom edge of door side mounting plate as shown above.
- ※3: If door height is 425mm or more, lower part of door will cover cabinet top board when door is fully opened.
- ※4: Maximum door projection is 267mm.

Main Body

Part No.	Material	Finish	Door Width	Door Height	Door Weight
GSLUN-3N	ABS / Steel	Chrome / Grey	600 ~ 900	390 ~ 450	2.8 ~ 3.8 kg
GSLUN-4N					3.8 ~ 4.8 kg
GSLUN-5N					4.8 ~ 5.8 kg

- 2 types of connecting bars are available for cabinet overall width 600 mm and 900 mm
- Dimensions in the bottom table are for standard products with side board thickness of cabinet 15 mm. If the side board thickness is over 15 mm, the connecting bar should be cut according to the formula (on the right)

Arm A: Connecting bar length = Cabinet overall width - (Side board thickness x 2) - 35

Arm B: Connecting bar length = Cabinet overall width - (Side board thickness x 2) - 19

Connecting Bar (Sold Separately)

Part No.	Material	Finish	Mounting Position	Length of Connecting Bar for Cabinet	
				Overall Width 600	Overall Width 900
GSLUB-535	Aluminium Alloy	Anodised	Arm A	535	-
GSLUB-551			Arm B*	551	
GSLUB-835			Arm A	-	835
GSLUB-851			Arm B*	-	851

*If the centre part of door is glass etc., install the connecting bar on arm B to make it inconspicuous